



| REFERENCE | CAPACITY | TYPE | MODEL | INSTALLATION |
|-----------|----------|-------------|------------------|----------------|
| tbd | 300L | PRESSURIZED | HEAT PUMP BOILER | FLOOR STANDING |

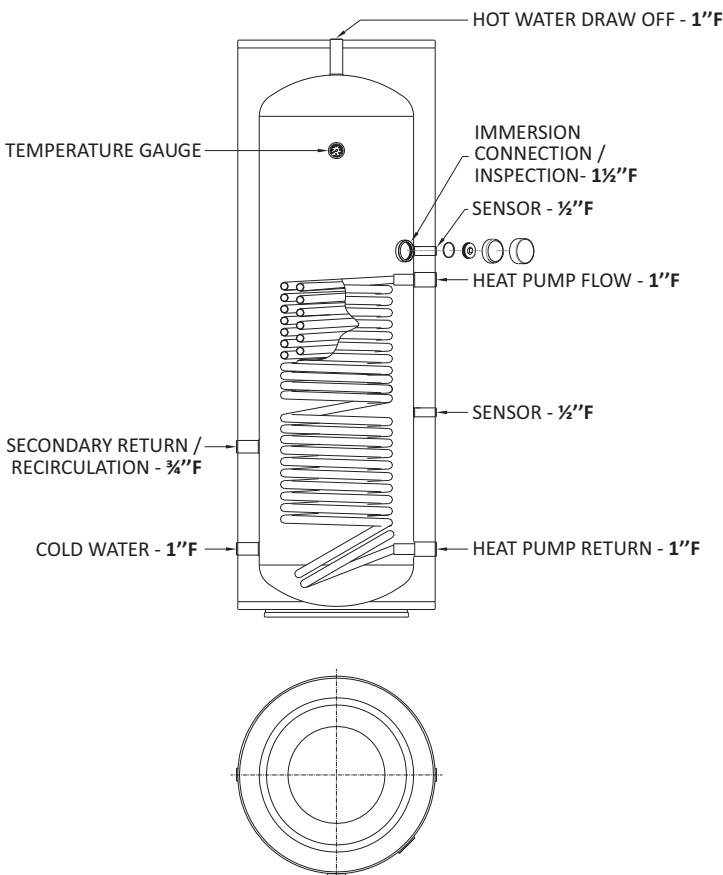
version.0

constructive specifications

| | |
|--------------------------------|--|
| capacity | 300L |
| tank material | stainless steel AISI 444 (EN 1.4521) |
| thermal insulation | PUR / polyurethane foam 50mm thickness , CFC-Free and HCFC-Free |
| casing | painted galvanized carbon steel DX51D |
| temperature gauge | 0 - 120°C |
| coils material and connections | stainless steel AISI 316L |
| coil surface area | 3,00m² |
| coil kW rating output 85/60°C | 90kW |
| max. operating pressure | 8bar (0,8MPa) |
| test pressure | 12bar (1,2MPa) |
| maximum working temperature | 90°C |
| heating element (optional) | immersion connection 1½" plugged |
| weight (empty / full) | 68kg / 353kg |
| heat losses | 94W (EN 12897) |
| ErP class | C |

connections and dimensions

connections



dimensions

