



REFERENCE	CAPACITY	TYPE	MODEL	INSTALLATION
tbd	200L	PRESSURIZED	HEAT PUMP BOILER	FLOOR STANDING

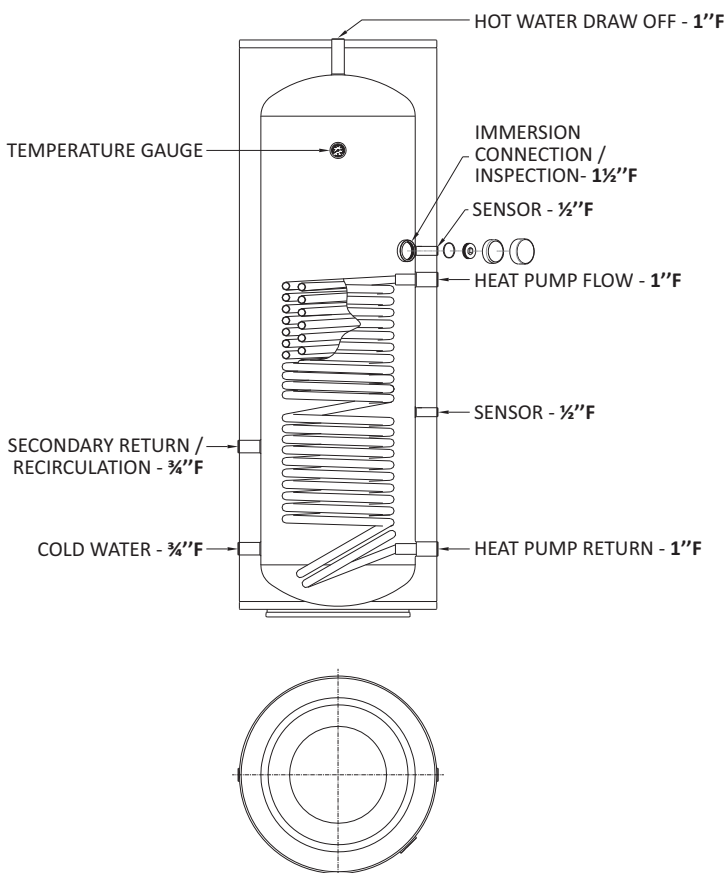
version.0

**constructive specifications**

capacity	<b>200L</b>
tank material	<b>RVS / stainless steel AISI 444 (EN 1.4521)</b>
thermal insulation	<b>PUR / polyurethane foam 50mm thickness, CFC-Free and HCFC-Free</b>
casing	<b>painted galvanized carbon steel DX51D</b>
temperature gauge	<b>0 - 120°C</b>
coils material and connections	<b>stainless steel AISI 316L</b>
coil surface area	<b>2,50m<sup>2</sup></b>
coil kW rating output 85/60°C	<b>85kW</b>
max. operating pressure	<b>8bar (0,8MPa)</b>
test pressure	<b>12bar (1,2MPa)</b>
maximum working temperature	<b>90°C</b>
heating element (optional)	<b>immersion connection 1½" plugged</b>
weight (empty / full)	<b>59kg / 249kg</b>
heat losses	<b>77W (EN 12897)</b>
ErP class	<b>C</b>

**connections and dimensions**

**connections**



**dimensions**

